



A TIME AND PLACE *for everything™*

Sprite™ TW5744 Integrated Telematics/ GPS Receiver Antenna

The Tallysman Sprite™ TW5744 is an integrated Telematics/GPS Receiver Antenna that can be configured to provide GPS “Event” based reports such as distance travelled, speed alarms, position updates on PTT etc. making this platform uniquely positioned to meet all fleet tracking needs. It can also be configured to provide basic NMEA output.

Digital 2-Way radio systems supported are DMR, P25, MPT1327 and NEXEDGE.

The TW5744 provides extensive logging capabilities providing storage for up to 30 days of data at report rates of up to once per minute. The integrated data compression algorithm can combine up to 125 location reports and events into a single short data transmission enabling sub 10 second tracking reports to be batched and sent every 15 Minutes!. This level of tracking provides location accuracies down to the block level, and enables 2-Way Radio Dealers with limited bandwidth to offer reporting rates that compete with cellular update rates.



The TW5744 provides 32 channel simultaneous reception of GPS/GLONASS systems, and employs Tallysman’s Accutenna™ dual feed antenna patch technology which greatly improves positioning accuracy in dense urban environments due to multipath signal interference. The TW5744 is housed in a compact, industrial-grade weather-proof, magnet mount enclosure, with threaded base holes for screw down attach.

Features

- **Integrated GPS receiver/Telematic**
- **Simultaneous GPS/GLONASS reception**
- **Event Driven Telematics reports**
- **High rate logging**
- **Time-OFF-Timer**
- **Push to talk ID (PTT ID)**
- **Odometer and waypoint reporting**
- **Information maintained across power cycles**
- **Over Air parameter updates**
- **Configurable NMEA output**
- **RoHS, REACH and RED Compliant**

Ordering Information

32-5744-yy- zzz

27-0117-0 TW5744 Configuration cable

yy= Radome (10=grey low profile)

zzz= Custom (Contact Tallysman for “Custom” details e.g. firmware, configuration, cable TC1= Tait Trunking, TC2= Tait Conventional)



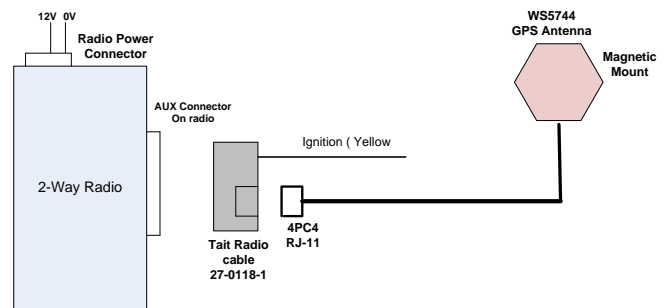
Sprite™ TW5744

GPS Antenna/Telematics Solution

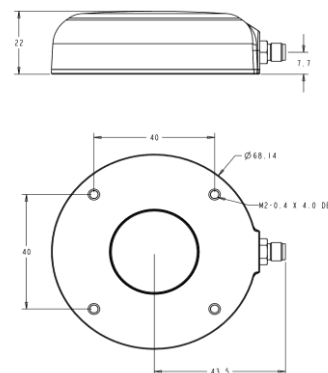
Radio Connection

The TW5744 comes with a 5 meter cable terminated in a 6P4C (RJ-11) connector. Interfacing to radios is as simple as connecting a radio adaptor cable.

Environmental	
Operating Temperature	-40 to +85 C
Storage	-45 to +85 C
Weatherproof	IP67
Shock	Vertical axis 50G, other axis 30G
Vibration	3 axis sweep = 15 min 10-200 Hz log sweep:3G
Electrical	
Voltage	7 to 18 VDC with overvoltage protection
Current	120 mA typical.
Cable	
Termination	RJ-11 6P4C
Cable length	5 meters (16 feet)
Radio Interface	
RS232	DMR, P25, MAP27, NEXEDGE protocols NEMA output
GPS performance	
Frequencies	GPS/GLONASS
Sensitivity	Acquisition: -146dBm Tracking : -159dBm
Time to First Fix	Cold Start: 39 sec Warm Start: 34 sec Hot Start: 2.5 Sec Reacquisition: < 1 sec



Mechanical Dimensions (mm)



Tallysman Wireless Inc

36 Steacie Drive
Ottawa, ON K2K 2A9 Canada
Tel 613 591 3131
Fax 613 591 3121
sales@tallysman.com

The information provided herein is intended as a guide only and is subject to change without notice. This document is not to be regarded as a guarantee of performance. Tallysman Wireless Inc. hereby disclaims any or all warranties and liabilities of any kind. © 2010 - 2017 Tallysman Wireless Inc. All rights reserved.