

TW5365

TW5365 Smart GNSS Antenna with UDR (RS-422)

Overview

The TW5365 is a multi-constellation GNSS Receiver/Antenna fused with inertial sensor data. It is an easy-to-use tracking solution that enables high performance positioning in places where GNSS signals are poor or not available.

The TW5365 incorporates a latest generation GNSS receiver that supports simultaneous GPS/GLONASS/Galileo reception and a Tallysman's Accutenna™ patch antenna. This dual feed antenna greatly improves rejection of multi-path signal interference, making it the most precise antenna for tracking in dense urban environments.

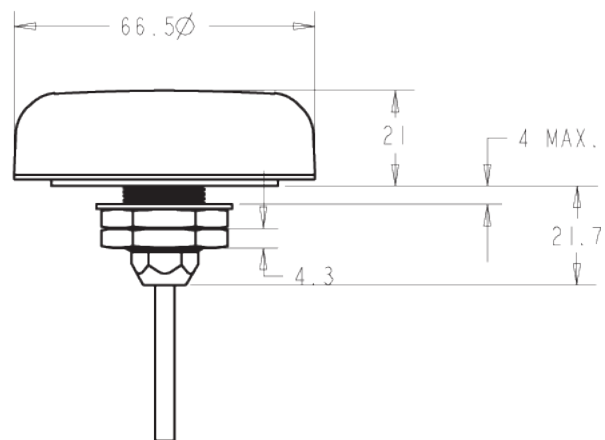
Untethered Dead Reckoning (UDR)

The TW5365 Untethered Dead Reckoning (UDR) technology provides continuous navigation without requiring speed information from the vehicle. This innovative technology brings the benefits of dead reckoning to installations previously restricted to using GNSS alone, significantly reducing the cost of installation for Dead Reckoning applications.

The strength of UDR is particularly apparent under poor signal conditions, where it brings continuous positioning in urban environments, even when the antenna is installed within the vehicle. Useful positioning performance is also available during complete signal loss, for example in parking garages or short tunnels. UDR positioning starts as soon as the ignition signal is applied and before the first GNSS fix is available.

The TW5365 may be installed in any position in a vehicle without electrical connection to the vehicle speed sensor. The on-board accelerometer and gyroscope sensors result in a self-contained UDR which is self-calibrating and provides reliable and consistent navigation

A Timepulse output generates pulse trains synchronized with GPS or UTC time grid with intervals configurable over a wide frequency range.



Mechanical Dimensions (mm)

Features

- Complete positioning solution with integrated 3D sensors
- Positioning accuracy in dense cities and covered areas
- Independent of any sensor connection to the car
- Robust communication with RS-422 Differential Transceiver
- 5V-36V automotive operation
- Superior multi-path signal rejection
- Industrial grade IP69 enclosure
- RoHS, REACH, RED compliant. CE marking

TW5365 Smart GNSS Antenna

Specifications

Antenna	Environmental
Architecture Dual Feed	Operating Temperature.....-40°C to +85°C
Axial Ratio..... < 1 dB typical.	Storage Temperature.....-45°C to +85°C
Frequencies.....GPS/QZSS L1 C/A, GLONASS L10F BeiDou B1I, Galileo E1B/C	WeatherproofIP69
SBAS L1 C/A.....WAAS, EGNOS, MSAS, GAGAN	Shock.....Vertical axis 50G, other axis 30G 3 axis sweep – 15 min
Channels.....72-channel u-blox M8 engine	Vibration.....10-200 Hz log sweep 3G
Interface	Sensitivity
Pwr, Gnd, Ignition Input	Tracking & Nav-160 dBm 1
Tx, RXRS422 (RS485) Half-Duplex	Cold starts-148 dBm
TimepulseRS232 level	Hot starts-157 dBm
Mechanical	Acquisition
Dimensions66.5 mm dia. x 21 mm H	Cold start26 sec Aided 3 sec
Weight.....135 g	Reacquisition<1 sec
Mounting MethodFixed Mount	Position
Cable Length.....5 m with RJ45 termination	Position Accuracy.....1.5m CEP (w/SBAS)
Enclosure.....Industrial grade fixed mount weatherproof IP69	UDR Position Error.....Typically <10% of distance covered without GNSS (up to 60 s)
Electrical	Serial Protocol
Voltages5 V to 36 VDC	Output.....NMEA 0183
Current<500 mW nominal operating	Baud Rate.....Configurable
	Update Rate.....Up to 30Hz (via HNR)

Ordering Information:

33-5365-7-10-05-PC0

PC0 = NMEA out, no adaptor cable.

TW5365 SDK/Configuration Kit

33-0095-5

Please refer to the Ordering Guide for the current and complete list of available products.

About Tallysman: With global headquarters and manufacturing in Ottawa, Canada, Tallysman is a leading manufacturer of high-precision antennas and components for Global Navigation Satellite System (GNSS) applications. Tallysman's mission is to support the needs of a new generation of positioning systems by delivering unprecedented antenna precision at competitive prices. Learn more at www.tallysman.com

© 2023 Tallysman Inc. All rights reserved. Tallysman, the "When Precision Matters" tag line and the Tallysman logo are trademarks or registered trademarks of Tallysman Inc. and/or its affiliates in Canada and certain other countries. All other trademarks mentioned in this document are the property of their respective owners. The information presented is subject to change without notice. Tallysman assumes no responsibility for any errors or omissions in this document. Tallysman Wireless Inc. hereby disclaims any or all warranties and liabilities of any kind.

Contact us:
info@tallysman.com
T: +1 613 591-3131

Tallysman Wireless Inc.
36 Steacie Drive,
Ottawa ON
K2K 2A9 Canada

www.tallysman.com