

TW5790



TW5790 Smart GNSS Antenna for High Precision with IMU, L-Band

Overview

The TW5790 is a multi-band (L1/L2), multi-constellation integrated GNSS receiver/antenna with Inertial Measurement Unit (IMU) (for Untethered Dead Reckoning) and integrated L-Band receiver for PointPerfect PPP-RTK corrections. The TW5790 is capable of providing sub 1 meter accuracy stand alone, sub 6 cm accuracy with PPP-RTK corrections and sub 1 cm with RTK corrections. Combined with the IMU to achieve Sensor Fusion, TW5790 supports the most demanding positioning applications in the most challenging environments such as a dense urban canyon and off-grid positioning.

Interference Resilience

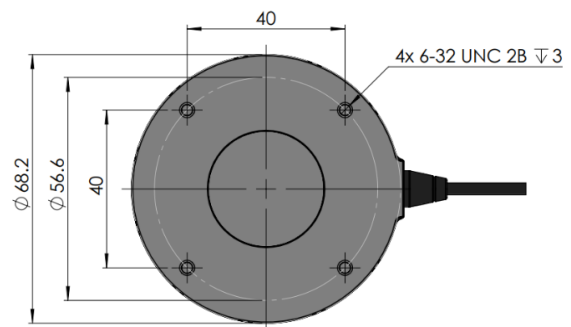
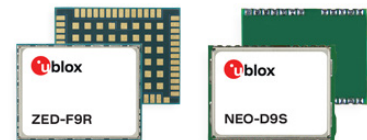
The TW5790 incorporates a latest generation multi-band (L1/L2) GNSS receiver and IMU with a Tallysman Accutenna® multi-band (L1/L2/L-Band) triple band dual feed patch. The state of the art GNSS receiver supports concurrent tracking of all four major constellations (GPS, BeiDou, Galileo and GLONASS) in multiple frequency bands. The multi-band (L1/L2) architecture is highly effective method for the removal of ionospheric error. The TW5790 employs multi-stage filtering with low noise figure LNAs, combined with the dual feed Accutenna®, which greatly improves the rejection of multi-path signal interference. The IMU Sensor Fusion further mitigates effects of severe multi-path reflections and provides continuous position availability during periods of GNSS signal obstruction offering exceptional performance to meet the most challenging precise positioning applications.

Precise Point Positioning

The TW5790 offers support for a broad range of corrections services (RTCM RTK, networked PPP-RTK or PointPerfect PPP-RTK over L-Band) allowing performance optimization according to each application's unique requirements. The concurrent multi-band (L1/L2) access to all four satellite constellations improves the receiver's convergence capability to deliver a quick, precise and reliable position solution which is resilient to ionospheric errors and improves resilience against interference and jamming.

As an RTK rover, The TW5790 accepts RTCM RTK message from a base station, Virtual Reference Station or SPARTN SSR message type via the PointPerfect subscription service.

The TW5790 provides sub 6 cm positioning accuracy in conjunction with PointPerfect PPP-RTK corrections and sub 1 cm accuracy with RTK. TW5790 can receive PointPerfect PPP-RTK corrections over L-Band when outside of terrestrial networking coverage.



Mechanical Dimensions (mm)

Features

- Improved noise immunity with multi-band u-blox ZED F9R GNSS receiver
- PointPerfect PPP-RTK (networked and L-Band)
- Improved multi-path rejection with Dual feed Accutenna®
- Multi-band GNSS receiver is resilient to ionospheric errors
- High reliability timing with expansive constellation array
- IMU provides continuous availability during periods of signal loss
- Exceptional position performance standalone without correction services
- 5V operation
- RS-422 differential (or RS-232) signalling
- Industrial grade IP67 enclosure
- Surface mount magnetic package
- Multiple cable lengths (5m, 15m and 25m)

TW5790 Smart GNSS Antenna

Specifications

Antenna	
Architecture.....	Multi-band (L1/L2), Dual Feed
Axial Ratio.....	L1: < 1 dB typical.
Frequencies.....	GPS L1C/A L2C, GLO L1OF L2OF, GAL E1B/C E5b, BDS B1I B2I, QZSS L1C/A L2C
SBAS L1 C/A.....	WAAS, EGNOS, MSAS, GAGAN
Channels.....	184-channel u-blox F9 engine
Anti-jamming.....	Active CW detection
Corrections Receiver.....	L-Band PPP-RTK (SSR)

Interface	
Pwr, Gnd	
33-5790-19-yy-zz.....	Data: USB 2.0 Type A Male
33-5790-29-yy-zz.....	Data, Timepulse: RS-232;

Serial Protocol	
Output.....	NMEA 0183, UBX Binary, RTCM v3.3, SPARTN v2.0
Baud Rate.....	Configurable
Update Rate.....	9 Hz (4); 10 Hz (GPS+GAL+BDS); 20 Hz (GPS+GAL); 20 Hz (GPS+GLO); 16 Hz (GP+BDS); 25 Hz (GPS)

Mechanical	
Dimensions.....	68.2 mm dia. x 22 mm H
Weight.....	185 g
Mounting Method.....	Industrial grade fixed Mount
Cable Length.....	5, 15, 25m with RJ45 termination (-29)

Electrical	
Voltages.....	5 VDC
Current.....	0.6 Watts (nominal operating) Measured @ 5VDC supply

Environmental	
Operating Temperature.....	-40°C to +85°C
Storage Temperature.....	-40°C to +85°C
Weatherproof.....	IP67
Shock.....	Vertical axis 50G, other axis 30G 3 axis sweep – 15 min
Vibration.....	10-200 Hz log sweep 3G

Sensitivity	
Tracking & Nav.....	-160 dBm
Reacquisition.....	-160 dBm
Hot starts.....	-158 dBm
Cold starts.....	-147 dBm

Acquisition	
Cold start.....	25 sec
Aided start.....	3 sec
Reacquisition.....	2 sec

Horizontal Position Accuracy (4 Constellations)	
Standard PVT.....	1.5m CEP
Standard SBAS.....	1.0m CEP
Corrected RTK.....	0.01m + 1ppm CEP
Augmented SPARTN (PPP-RTK).....	<0.06m CEP
SPARTN Convergence.....	<45 sec*

Heading	
Dynamic Heading Accuracy.....	0.3° (30 m/sec)

Timing	
Timing Accuracy.....	30 ns RMS

Ordering Information:

33-5790-19-10-zz-PC0 (USB 2.0 Type A Male; Data: USB 2.0, PC0 = NMEA out, no adaptor cable, grey low profile radome.)
33-5790-29-10-zz-PC0 (RJ45; Data: RS-232, Timepulse RS-232, PC0 = NMEA out, no adaptor cable, grey low profile radome.)
zz = Cable length in meters.
33-5790-19-10-**OS**-PC0: (1.5m) is standard length. 33-5794-19-10-**OL**-PC0: (3.0m) is optional.
33-5790-29-10-zz-PC0: zz=05 (5m) is standard. zz=15 or zz=25 are special order only

33-5790-19-10-zz-PC0 SDK Test Adaptor required for programming
33-5790-29-10-zz-PC0 SDK Test Adaptor required for programming

Not Applicable
33-0095-6

About Calian GNSS: With global headquarters and manufacturing in Ottawa, Canada, Calian GNSS is a leading manufacturer of high-precision antennas and components for Global Navigation Satellite System (GNSS) applications. Calian GNSS' mission is to support the needs of a new generation of positioning systems by delivering unprecedented antenna precision at competitive prices. Learn more at www.calian.com/GNSS

Contact us:
info.gnss@calian.com
T: +1 613 591-3131

© 2024 Calian GNSS Ltd. All rights reserved. Calian, the "Confidence. Engineered." tag line and the Calian logo are trademarks or registered trademarks of Calian GNSS Ltd. and/or its affiliates in Canada and certain other countries. All other trademarks mentioned in this document are the property of their respective owners. This document contains Calian proprietary information. Use, disclosure, copying or distribution of information requires the written permission of Calian GNSS Ltd. The information presented is subject to change without notice. Calian assumes no responsibility for any errors or omissions in this document. Calian GNSS Ltd. hereby disclaims any and all warranties and liabilities of any kind.

Calian GNSS Ltd.
36 Steacie Drive,
Ottawa ON
K2K 2A9 Canada

www.calian.com/GNSS