



When precision matters..®

A Tallysman *Accutenna*™ TW2926 Embedded Multi-Constellation + L-Band Antenna

The TW2926 is an *Accutenna*™ technology antenna that covers GPS L1, GLONASS G1, BeiDou B1, Galileo E1, SBAS (WAAS, EGNOS, GAGAN, & MSAS) and the down-link L-Band (1525 – 1559MHz). The TW2926 provides superior multi-path signal rejection, a linear phase response, and tight Phase Centre Variation (PCV). This antenna is ideal for precision agriculture, autonomous vehicle tracking and guidance, and other applications where precision matters.

The TW2926 features a dual-feed wideband patch element, plus a low-loss pre-filter followed by a three stage Low Noise Amplifier (LNA) including an additional mid-section SAW. This configuration provides excellent axial ratio across the full frequency band and strong protection against high level sub-harmonic signals like LTE and near frequency signals such as WiFi.

The TW2926 is available with a variety of connectors and custom cable lengths.

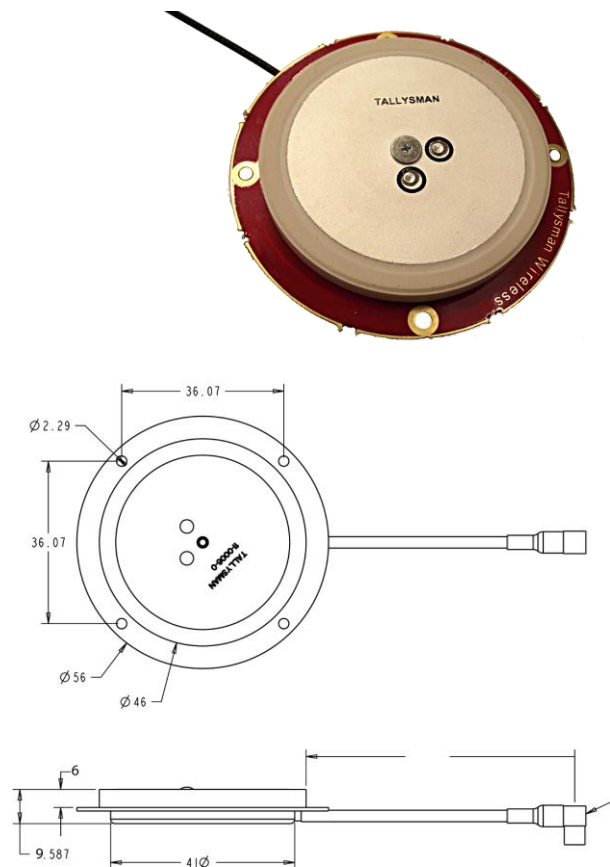
It is highly recommended to take advantage of Tallysman's custom tuning service to ensure optimal performance of this antenna in your housing and with your ground plane.

Applications

- High Accuracy & Mission Critical GNSS
- Precision Agriculture, Mining & Construction
- Military & Security
- Avionics
- Law Enforcement & Public Safety
- Fleet Management & Asset Tracking

Features

- Covers B1 / E1 / L1 / G1 Frequencies, plus L-Band correction services
- Great axial ratio: 1 typ., 2 dB max
- Low noise LNA: ≤ 2.5 dB (including pre-filter)
- High rejection SAW filter
- LNA gain: 28 dB typ.
- Low current: 18 mA typ.
- Wide voltage input range: 2.5 to 16 VDC



Benefits

- Excellent multipath rejection
- Increased system accuracy
- Excellent signal to noise ratio
- Great out of band signal rejection
- Ideal for harsh environments
- RoHS compliant



When precision matters.®

TW2926 Embedded Multi-Constellation + L-Band Antenna

Specifications Vcc = 3V, over full bandwidth, T=25°C

Antenna

Architecture	Dual Feed Patch, Quadrature Feeds
2 dB Bandwidth	85 MHz
Antenna Gain (with 100mm ground plane)	4.25 dBic
Axial Ratio	1dB typ. 2dB max.

Electrical

Architecture	Pre-filter ->LNA ->SAW filter-> 2 stage LNA
Filtered LNA Frequency Bandwidth	1510 to 1610 MHz
Polarization	RHCP
LNA Gain	26 dB min. or 28dB typ
Gain flatness	+/- 2 dB, 1525 to 1606 MHz
Out-of-Band Rejection	<1465 MHz >30 dB >1700 MHz >55 dB
VSWR (at LNA output)	<1.5:1 typ. 1.8:1 max.
Noise Figure	≤2.5 dB typ.
Supply Voltage Range (over coaxial cable)	+2.5 to 16 VDC nominal (12VDC recommended maximum)
Supply Current	18 mA typ., 25mA max. (@85°C)
ESD Circuit Protection	15 KV air discharge

Mechanicals & Environmental

Mechanical Size	56 mm dia. x 9.8 mm H
Cable	RG174 or Micro-coax
Operating Temp. Range	-40 to +85°C
Weight	45 g
Attachment Method	Adhesive or screw mount
Environmental	RoHS and REACH compliant
Shock	Vertical axis: 50 G, other axes: 30 G
Vibration	3 axis, sweep = 15 min, 10 to 200 Hz sweep: 3 G

Ordering Information

TW2926 – Multi-Constellation antenna (28dB)	33-2926-xx-yyyy
TW2920E – Multi-Constellation antenna (35dB)	33-2920E-xx-yyyy

Where xx = connector type and yyyy = cable length in mm

Please refer to the Ordering Guide (<http://www.tallysman.com/wp-content/uploads/Current-Ordering-Guide.pdf>) for the current and complete list of available connectors.

Tallysman Wireless Inc

36 Steacie Drive
Ottawa ON K2K 2A9 Canada

Tel 613 591 3131 Fax 613 591 3121 sales@tallysman.com

The information provided herein is intended as a guide only and is subject to change without notice. This document is not to be regarded as a guarantee of performance. Tallysman Wireless Inc. hereby disclaims any or all warranties and liabilities of any kind. © 2015 Tallysman Wireless Inc. All rights reserved. Rev 1.3